



CREATING A CLEANER, SAFER, HEALTHIER WORLD.

EQUIPMENT



# T16

## BATTERY-POWERED RIDE-ON SCRUBBER-DRYER

- Achieve up to 20% lower cost of ownership with Tennant's quality construction and innovative technologies
- Clean anytime, anywhere with the quiet T16 at 68 dBA
- Enhance productivity and safety with unparalleled user-friendly design and Tough-n-Go™ controls

LOWER YOUR COST OF OWNERSHIP, USING INNOVATIVE CLEANING TECHNOLOGY THAT IS VERSATILE AND EASY TO MAINTAIN – **THE T16 HAS IT ALL**



LESS EXPENSIVE TO OPERATE AND MAINTAIN

The T16, equipped with Tennant's exclusive scrubbing technologies, is engineered to be up to 20% less expensive to operate and maintain than traditional scrubbing methods based on acquisition cost, consumables, and maintenance.

The highest quality materials and parts go into every T16 to ensure solid construction and extend the performance life of the machine.

QUIET OPERATION

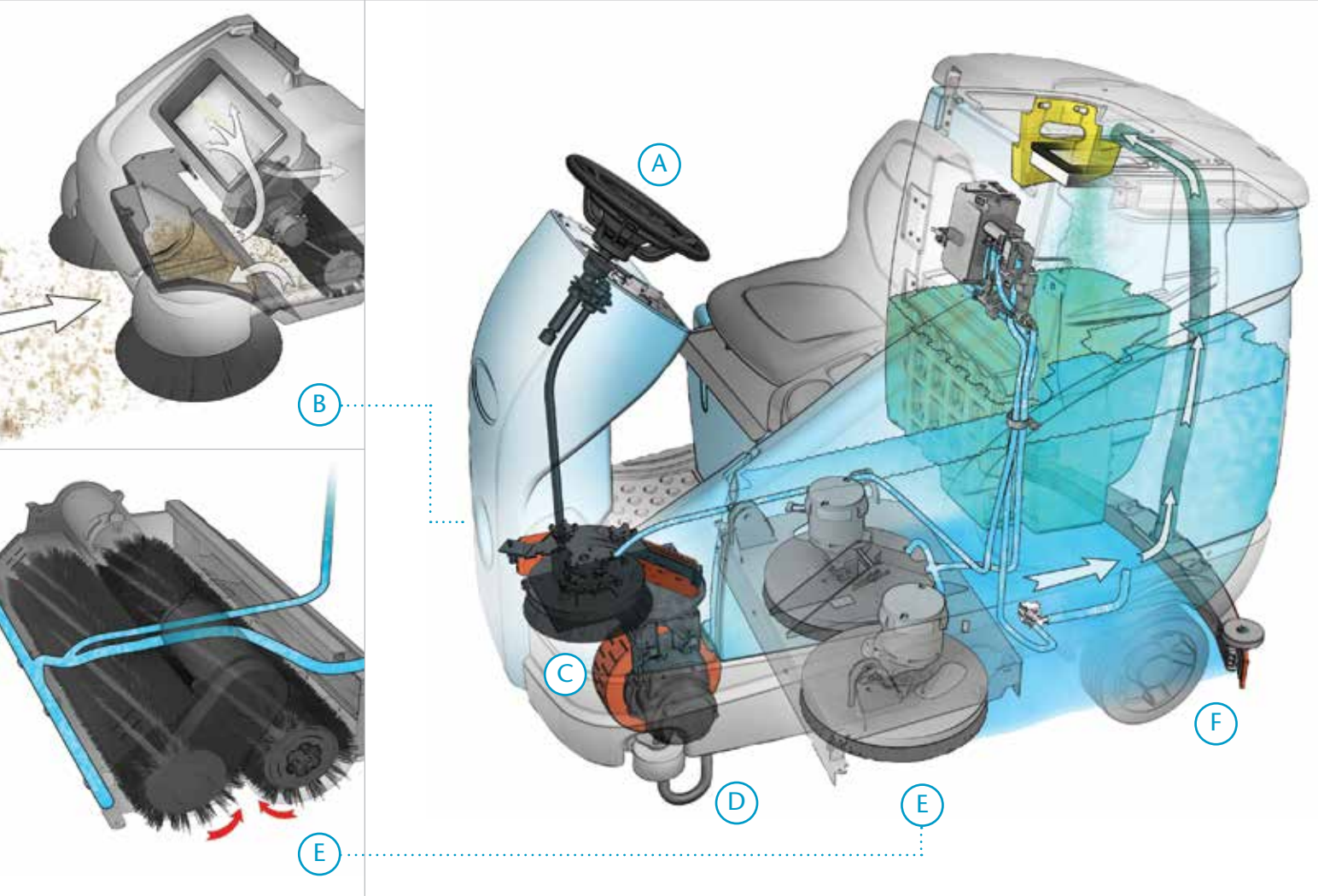
The quietest machine in our industrial ride-on scrubber-dryer line, the T16 allows unobtrusive cleaning anytime of the day and anywhere in the building. Operating at just 68 dBA, the T16 won't disturb customers, employees, students, patients or visitors in noise-sensitive areas.

ENHANCED OPERATOR SAFETY, COMFORT, AND EASE OF USE

The T16's unparalleled design provides an intuitive and operator-friendly experience. Simple patent-pending Touch-n-Go™ control module on steering wheel instills confidence and allows the operator to safely focus on keeping both hands on the wheel even while changing scrub functions. Exceptional visibility and outstanding operator comfort offer enhanced control and safety.

INSIDE THE

# T16



- A** Reduce operator fatigue and effort with a fl ex-shaft steering system that provides smooth and easy steering.
- B** Improve handling of debris in the cleaning process with an optional dry sweeping system that captures dust in a self-contained filter bag for easy disposal.
- C** Extend component life and reduce maintenance cost with the AC brushless propelling motor that operates more efficiently than traditional DC motors.
- D** Reduce operating costs with robust machine construction that stands up to severe environments, but is also designed to prevent damage to walls and fragile fixtures.
- E** Improve cleaning results by equipping the T16 with the scrub head that best suits the application.
- F** Reduce slip/fall and maintenance costs with the Dura-Trak™ parabolic squeegee system that provides excellent water recovery and can be changed easily without tool.



## INNOVATIONS INCREASE PRODUCTIVITY AND REDUCE COSTS

- ▶ **Touch-N-Go™ Control Module with 1-Step™ Button** – enhance safety with intuitive controls located right in front of the operator, eliminating the need to remove hands from the steering wheel to change scrub settings.
- ▶ **Easy to identify maintenance Touch Points** ensure daily maintenance items are checked and your investment is properly maintained and protected.
- ▶ **Keep the operator compartment neat and tidy** to achieve new levels of productivity. The side cargo net and removable tool caddy help the operator stay organised and keep the compartment free of debris.



### OPTIMISE CLEANING PERFORMANCE WITH TENNANT

Maximise the uptime and life of your Tennant equipment with Tennant parts and service. Improve productivity with quality parts and supplies that are designed to enhance equipment results. Depend on Tennant to help you maximise the effectiveness of cleaning operations.

#### KEY AVAILABLE FEATURES

Effectively clean along edges with the scrubbing side brush that expands cleaning path for maintenance cleaning productivity.

Bring high performance spill recovery to hard-to-reach areas with the in-line vac wand.

Reduce repair costs and protect the rear squeegee when backing up with the rear squeegee protection kit.

Protect operators from falling objects with the overhead guard and protect the T16 from contact damage with the severe environment front bumper.



# TENNANT TECHNOLOGIES SUSTAINABLE SOLUTION



Tennant's ec-H2O™ technology electrically converts plain tap water into a cleaning solution without any added chemicals<sup>1</sup>. The T16 with ec-H2O technology can pay for itself in chemical cost savings over its lifetime. ec-H2O:

- Effectively removes soil<sup>1</sup>
- Saves money and improves productivity
- Increases safety and promotes health
- Reduces your environmental impact

## MAXIMISE CLEANING TIME

With an all-new design, the T16 delivers the latest in cleaning technology. The scrubbing side brush provides a 1145 mm scrub path, and large 190 L solution tank is engineered for maximum cleaning performance and productivity. With ec-H2O and FaST technologies, clean up to three times longer with a single tank of water. The patented Dura-Trak™ Parabolic Squeegee system also provides excellent water and residue pick up.

## EXCLUSIVE TECHNOLOGIES

(optional cleaning innovations)

All technologies increase scrub time up to three times using a single tank of water.



ec-H2O™ technology electrically converts water into a cleaning solution that cleans effectively, saves money, improves safety, and reduces environmental impact compared to daily cleaning floor chemicals<sup>1</sup>.



FaST® Foam Scrubbing Technology uses up to 70% less water and 90% less chemicals to improve floor traction as certified by NFSA, helping reduce the risk of slip-and-fall accidents.

<sup>1</sup> ec-H2O technology is not designed for all soils, including heavy concentrations of fats and oils. Conventional chemical cleaners may be required for those soils.

## ENVIRONMENTAL STEWARDSHIP



ec-H2O and FaST technologies are NFSI (National Floor Safety Institute) Certified. NFSI certification ensures a product has passed a 2-phase testing process, proving the floor product helps to reduce potential for slip-and-fall accidents.



ec-H2O and FaST technologies are registered by NSF International. NSF International is an independent, not-for-profit organisation that ensures formulation and labels on these products meet appropriate food safety regulations.



Tennant FaST 365 and FaST 965 detergents have been awarded the European Eco-label. This proves that our Tennant FaST detergents have a reduced environmental impact compared to standard detergents



ec-H2O technology won the European Business Award 2009 for the Business Innovation of the Year, one of the most prestigious business awards. The European Business Awards ([www.businessawardseurope.com](http://www.businessawardseurope.com)) is an independent awards programme designed to recognise and promote excellence, best practice and innovation in the European business community.



Conserve Resources



Reduce Detergents



Increase Safety



Improve Air Quality



Reduce Noise

### GENUINE TENNANT PARTS, SUPPLIES AND SERVICE

#### Tennant Service Programme

- Maximise safety, productivity and uptime
- Control and protect your investment and lower your total cost of ownership
- Benefit from over 200 factory-trained service technicians across Europe

#### Tennant Parts & Supplies

- Operate your machine with confidence
- Benefit from years of worry-free operation

#### Tennant Cleaning Solutions

- Obtain sustainable cleaning results every time
- Choose sustainable benefits your company wants

## T16 BATTERY-POWERED RIDE-ON SCRUBBER-DRYER

### SCRUBBING SYSTEM

Cleaning path	910 mm
With scrubbing side brush	1145 mm
With sweeping side brush (cylindrical only)	1170 mm
With dual side sweep brushes (presweep only)	1170 mm
Disk scrub head	
Speed	300 rpm
Down pressure weight (variable to)	114 kg
Brush diameter (2)	460 mm
Brush motor (2)	0.75 kW
Cylindrical scrub head	
Speed	500 rpm
Down pressure weight (variable to)	91 kg
Brush diameter (2)	205 mm
Brush motor (2)	0.75 kW

### PROPELLING SYSTEM

Propel speed forward (variable to)	9 km/h
Propel speed reverse (variable to)	4 km/h
Propel motor	1.2 kW
Gradeability	
Transport at gross weight	8° / 14.1%
Working (scrubbing)	4° / 7%

### TANKS

Solution tank	190 L
Solution capacity with ES®	280 L
Recovery tank	225 L
Demisting chamber	38 L
Vacuum fan	0.56 kW
Speed	14000 rpm
Water lift	1650 mm

### MACHINE SPECIFICATIONS

Length	1880 mm
Width	1040 mm
Rear squeegee (hard width)	1070 mm
Height	1475 mm
With overhead guard	2080 mm
Weight	500 kg
With standard 235 AH batteries	860 kg
Minimum aisle turn	2110 mm

### SOUND LEVEL

Operator's ear	
Disk: Mode #1	68 dBA
Cylindrical: Mode #1	71 dBA
(Sound pressure level tested per ISO 11201 as recommended by the AACEM and OSHA)	

### WARRANTY

See your local representative for warranty information.

Specifications subject to change without notice.

## SEEING IS BELIEVING

For a demonstration or additional information contact us:

TENNANT UK CLEANING SOLUTIONS LTD  
Gladstone Road  
Northampton NN5 7RX  
UNITED KINGDOM  
Tel: 0800 111 4402 (local rate UK only)  
Tel: 01604 583191  
Fax: 0845 052 9349  
E-mail: [sales.uk@tennantco.com](mailto:sales.uk@tennantco.com)  
E-mail: [enquiries@tennantco.com](mailto:enquiries@tennantco.com)

TCS EMEA GmbH  
Sommerfeld 1  
5202 Neumarkt am Wallersee  
AUSTRIA  
Tel: +43 (0)6216 4524 & 4525  
Fax: +43 (0)6216 4524 20  
E-mail: [office@tennant-cee.com](mailto:office@tennant-cee.com)

TENNANT EUROPE NV  
Roderveldlaan 3  
2600 Antwerp  
BELGIUM  
Tel: +32 3 217 94 11  
Fax: +32 3 217 94 19  
E-mail: [europe@tennantco.com](mailto:europe@tennantco.com)