

Omega

Matrix
Cleaning Systems

Suitable for Domestic Environments

Where Steam & Vacuum is required

Stainless Steel Body, Stainless Steel Boiler

Continuous Fill Boiler allowing refill with no reheat time

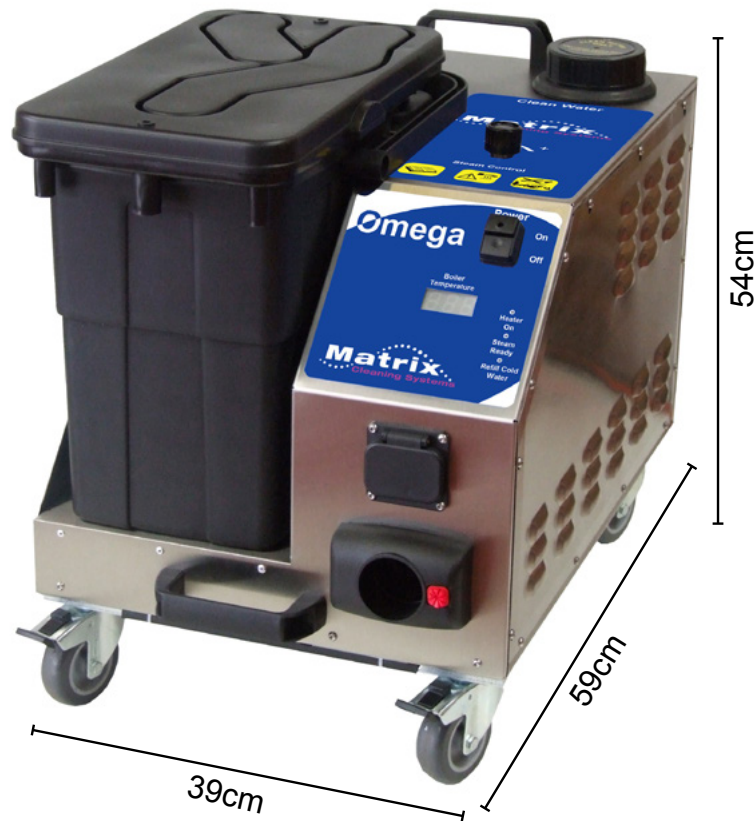
4.5 Bar Pressure

Compact and Lightweight

Steam Regulator to Control the Volume of Steam

Integral Vacuum System

Full Steam & Vacuum tool kit in a accessory bag as standard



Depth with handle & basket: 84cm

Functions

Steam Pressure (bar)	4.5
Vacuum	Yes
Detergent	No

Capacities (Litres)

Water Tank	2.5
Boiler	1.8
Vacuum Tank	12

Power

Vacuum Motor (W)	850
Supply Voltage (V)	240
Boiler (W)	1950
Nominal Input Power (W)	2950
Power Cable Length (M)	10

Controls

Main Power Switch
Manual Steam Valve

Weight

23 Kilo

Data Sheet

www.matrixcleaningsystems.co.uk

Omega

Matrix

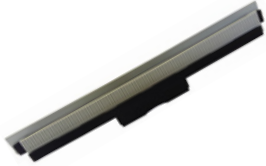
Cleaning Systems

Included Accessories




2.5 Metre
Steam &
Vac Hose

15RM00001



300mm
Squeegee
Insert

15RM00006



Brass Brush
Pack of 10
x3 supplied as
standard

15RM00020



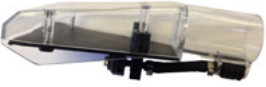
150mm Steam
& Vacuum
Squeegee Insert

15RM00042



Extension Tubes
x 2 supplied with
each machine

15RM00003



Upholstery
Tool

15RM00013



150mm Steam
& Vacuum
Nozzle

15RM00040



Crevice Tool

15RM00043



300mm
Floor Nozzle

15RM00004



Nylon Brush
Pack of 10
x3 supplied as
standard

15RM00019



150mm Steam
& Vacuum
Brush Insert

15RM00041



Short Steam
Lance

15RM00051